

Reed-Relais / Reed relays

Hochspannung / high voltage



293



294



320H2/19 ; 320H2/29



320H2/24 ; 320H2/28



320H2/3 ; 320H2/6

Reed-Relais

High Voltage

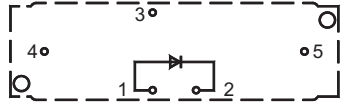
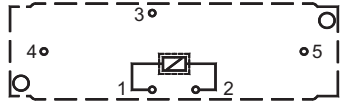
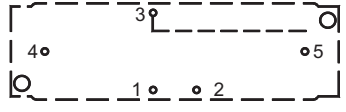
293

Spulendaten / Coil ratings

| Kontaktart <i>contact form</i> | Bestellbezeichnung <i>part number</i> | Nennspannung <i>nominal voltage</i> | Spulenwiderst. <i>coil resistance</i> | Ansprechspannung <i>pull-in voltage</i> | Abfallspannung <i>drop-out voltage</i> | Nennstrom <i>rated current</i> | Maximalspannung <i>maximum voltage</i> | Anschlußbelegung gemäß Typ <i>circuit schematic accord. to type</i> |
|-----------------------------------|--|--|--|--|---|-----------------------------------|---|--|
| | | [V/DC] | [Ohm] | [V/DC] | [V/DC] | [mA] | [V/DC] | |
| 1 A SPST-NO | 293 - 5 - A... | 5 | 25 | 4,0 | 0,4 | 200 | 7,0 | 293 |
| | 293 - 12 - A... | 12 | 120 | 10,0 | 1,0 | 100 | 17,0 | |
| | 293 - 24 - A... | 24 | 480 | 20,0 | 2,0 | 50 | 34,0 | |
| 1 B SPST-NC | 293 - 5 - B... | 5 | 25 | 4,0 | 0,4 | 200 | 6,0 | 293 |
| | 293 - 12 - B... | 12 | 120 | 10,0 | 1,0 | 100 | 15,0 | |
| | 293 - 24 - B... | 24 | 480 | 20,0 | 2,0 | 50 | 29,0 | |

Alle Angaben sind auf +20°C bezogen / indications are referring to +20°C

Sonderausstattungen / options ¹⁾

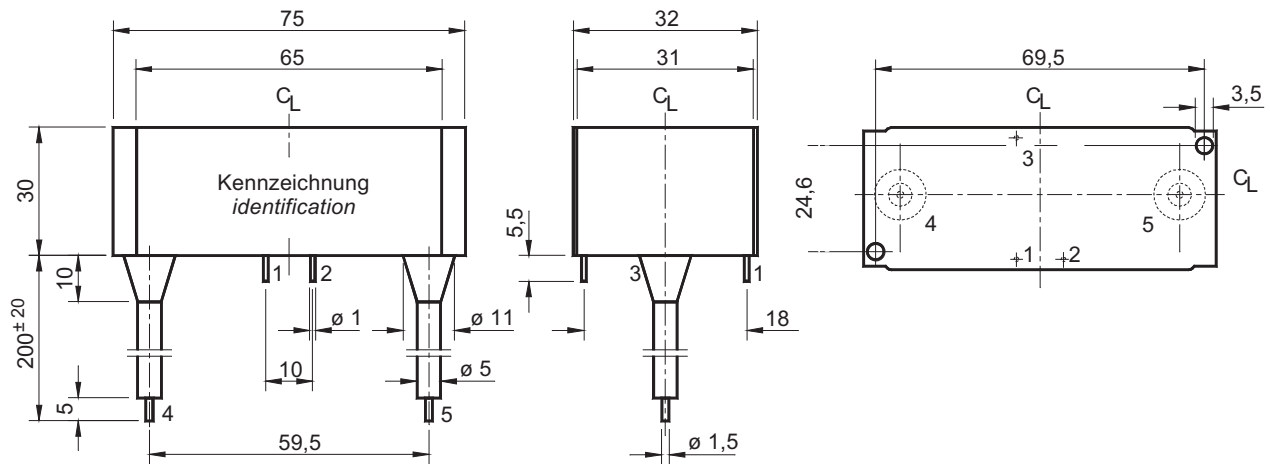
| option type | D = Diode / diode | M = magnetischer Schirm / magnetic shield | S = elektrostatischer Schirm / electrostatic shield |
|-------------|---|--|---|
| 293 |  |  |  |

Weitere Sonderausführungen auf Anfrage / further options on inquiry

¹⁾ Ansicht auf die Bestückungssseite / view on component side

293

Abmessungen / dimensions



Figur 1 / figure 1

Abmessungen in mm / dimensions in mm

Anschlußbelegung / terminals ¹⁾

| Typ type | Belegung / pinout | Kontaktart A contact form A | Kontaktart B contact form B | Kontaktart C contact form C |
|-------------------|-------------------|--------------------------------|--------------------------------|--------------------------------|
| 293 1 A 1 B | | | | |

¹⁾ Ansicht auf die Bestückungsseite / view on component side

Relaisdaten / relay ratings

| Kontakttyp / contact type | | 070 | 071 | 072 | 073 | 083 | 094 |
|---|-------------------------------------|------------------|------------------|------------------|------------------|------------------|------------------|
| Kontaktform / contact form | | A ; B | A ; B | A ; B | A ; B | A ; B | A ; B |
| Kontaktmaterial / contact material ¹⁾ | | W | W | W | W | W | W |
| Schaltleistung / switching power | max. [W/VA] | 50 | 50 | 50 | 10 | 50 | 10 |
| Schaltspannung / switching voltage | peak AC max. [V-DC/AC] | 1000 | 3500 | 7500 | 10.000 | 5000 | 12.000 |
| Schaltstrom / switching current | max. [A] | 2,5 | 3,0 | 3,0 | 3,0 | 3,0 | 3,0 |
| Dauergrenzstrom / carry current | max. [A] | 3,0 | 5,0 | 5,0 | 5,0 | 5,0 | 5,0 |
| Kontaktwiderstand / contact resistance | max. [mOhm] | 250 | 250 | 250 | 250 | 250 | 250 |
| Isolationswiderstand / insulation resistance | contact min. [Ohm] | 10 ¹⁰ | 10 ¹⁰ | 10 ¹¹ | 10 ¹⁰ | 10 ¹⁰ | 10 ¹⁰ |
| | contact-coil | 10 ¹⁰ | 10 ¹⁰ | 10 ¹⁰ | 10 ¹⁰ | 10 ¹⁰ | 10 ¹⁰ |
| Spannungsfestigkeit / breakdown voltage | contact min. [V/DC] | 1500 | 5000 | 10.000 | 15.000 | 7000 | 15.000 |
| | contact-coil | 4000 | 7500 | 12.500 | 17.500 | 10.000 | 17.500 |
| Anzugszeit inkl. Prellzeit / operate time incl. bounce time | max. [ms] | 3,5 | 3,5 | 3,5 | 3,5 | 3,5 | 3,5 |
| Abfallzeit / release time | max. [ms] | 1,5 | 1,5 | 1,5 | 1,5 | 1,5 | 1,5 |
| Kapazität / capacitance | contact typ. [pF] | 0,8 | 0,8 | 0,8 | 0,8 | 0,8 | 0,8 |
| | contact-coil | 5,0 | 5,0 | 5,0 | 5,0 | 5,0 | 5,0 |
| Vibrationsfestigkeit / vibration resistance (10-2000 Hz) | max. [g] | 35 | 35 | 35 | 35 | 35 | 35 |
| Schockfestigkeit / shock resistance (11ms. ½ sinus wave) | max. [g] | 50 | 50 | 50 | 50 | 50 | 50 |
| Betriebstemperatur / operating temperature | max. [°C] | -40...+70 | -40...+70 | -40...+70 | -40...+70 | -40...+70 | -40...+70 |
| Löttemperatur / solder temperature | max. [°C] | 260 | 260 | 260 | 260 | 260 | 260 |
| Einbau / mounting | lageunabhängig / in all positions | X | X | X | X | X | X |
| | lageabhängig / not in all positions | | | | | | |

¹⁾ Wolframbeschichtete Schalter sind nur zum Schalten einer Leistung ab 10mW geeignet
 wolfram contacts are only suitable for a switching power of at least 10mW

Reed-Relais

High Voltage

293

Bestellhinweis / order information

| Relaistyp <i>relay type</i> | Nennspannung <i>nominal voltage</i> | Kontaktart <i>contact form</i> | Kontakttyp <i>contact model</i> | Optionen <i>options</i> | Abmessungen gemäß Figur Nr. <i>dimensions acc. to figure no.</i> |
|--------------------------------|--|-----------------------------------|--|--------------------------------------|---|
| 293 | - XX | - X | XXX | - XXX | |
| 293 | 5 12 24 | A B | 070 071 072 073 083 094 | D DM DS DMS M MS S | 1 |

Reed-Relais

High Voltage

294

Spulendaten / Coil ratings

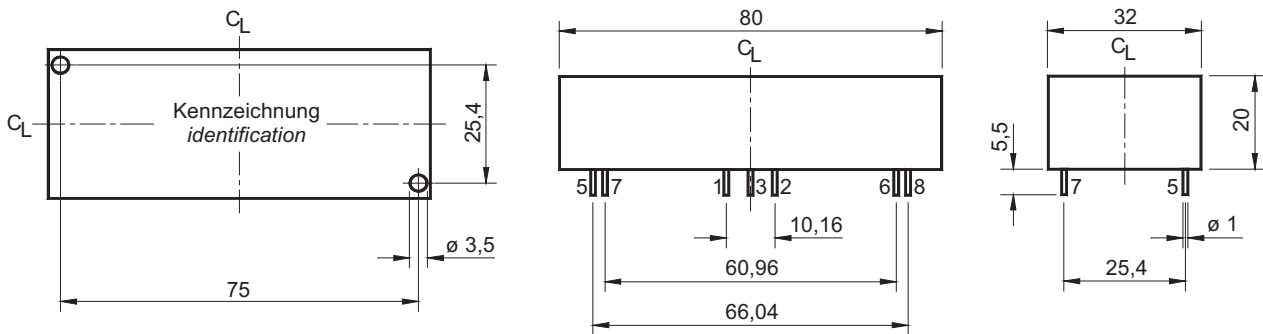
| Kontaktart <i>contact form</i> | Bestellbezeichnung <i>part number</i> | Nennspannung <i>nominal voltage</i> | Spulenwiderst. <i>coil resistance</i> | Ansprechspannung <i>pull-in voltage</i> | Abfallspannung <i>drop-out voltage</i> | Nennstrom <i>rated current</i> | Maximalspannung <i>maximum voltage</i> | Anschlußbelegung gemäß Typ <i>circuit schematic accord. to type</i> |
|-----------------------------------|--|--|--|--|---|-----------------------------------|---|--|
| | | [V/DC] | [Ohm] | [V/DC] | [V/DC] | [mA] | [V/DC] | |
| 2 A DPST-NO | 294 - 5 - A... | 5 | 25 | 4,0 | 0,4 | 200 | 7,0 | 294 |
| | 294 - 12 - A... | 12 | 120 | 10,0 | 1,0 | 100 | 17,0 | |
| | 294 - 24 - A... | 24 | 480 | 20,0 | 2,0 | 50 | 34,0 | |
| 1 C SPDT-CO | 294 - 5 - C... | 5 | 25 | 4,0 | 0,4 | 200 | 6,0 | 294 |
| | 294 - 12 - C... | 12 | 120 | 10,0 | 1,0 | 100 | 15,0 | |
| | 294 - 24 - C... | 24 | 480 | 20,0 | 2,0 | 50 | 29,0 | |

Alle Angaben sind auf +20°C bezogen / indications are referring to +20°C

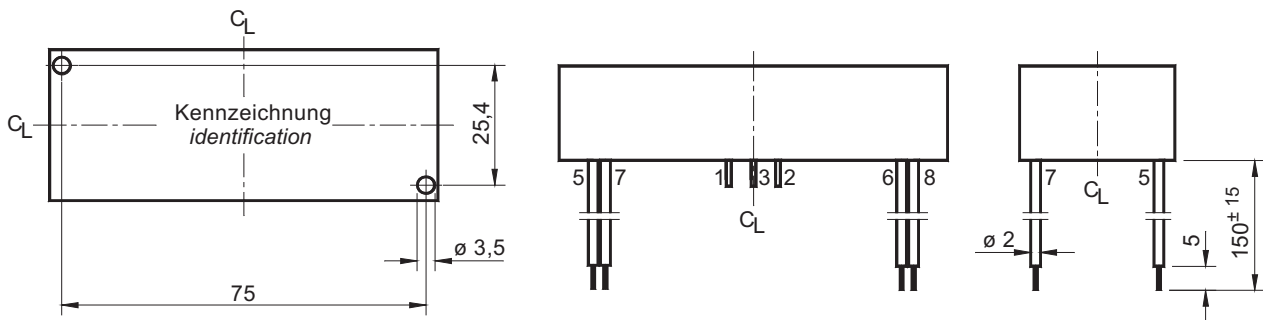
Sonderausstattungen / options ¹⁾

| option \ type | 294 2 A | 294 1 C |
|--|------------|---|
| D = Diode / diode M = magnetischer Schirm / magnetic shield | | Standardausstattung standard version |
| S = elektrostatischer Schirm / electrostatic shield | | |
| K = Kabelanschluß / cable connection | | |

Abmessungen / dimensions



Figur 1 / figure 1



Figur 2 / figure 2

Abmessungen in mm / dimensions in mm

Anschlußbelegung / terminals ¹⁾

| Typ type | Belegung / pinout | Kontaktart A contact form A | Kontaktart B contact form B | Kontaktart C contact form C |
|-------------------|-------------------|-----------------------------|-----------------------------|-----------------------------|
| 294 2 A 1 C | | | | |

¹⁾ Ansicht auf die Bestückungsseite / view on component side

Relaisdaten / relay ratings

| Kontakttyp / contact type | | 071 | 072 | 083 | 086 | | |
|---|-------------------------------------|------------------|------------------|------------------|------------------|--|--|
| Kontaktform / contact form | | A ; C | A ; C | A ; C | A ; C | | |
| Kontaktmaterial / contact material ¹⁾ | | W | W | W | Rh | | |
| Schaltleistung / switching power | max. [W/VA] | 50 | 50 | 50 | 120 | | |
| Schaltspannung / switching voltage | peak AC max. [V-DC/AC] | 3500 | 7500 | 5000 | 1000 | | |
| Schaltstrom / switching current | max. [A] | 3,0 | 3,0 | 3,0 | 3,0 | | |
| Dauergrenzstrom / carry current | max. [A] | 5,0 | 5,0 | 5,0 | 5,0 | | |
| Kontaktwiderstand / contact resistance | max. [mOhm] | 250 | 250 | 250 | 80 | | |
| Isolationswiderstand / insulation resistance | contact min. [Ohm] | 10 ¹⁰ | 10 ¹⁰ | 10 ¹⁰ | 10 ¹⁰ | | |
| | contact-coil | 10 ¹⁰ | 10 ¹⁰ | 10 ¹⁰ | 10 ¹⁰ | | |
| Spannungsfestigkeit / breakdown voltage | contact min. [V/DC] | 5000 | 10.000 | 7000 | 3000 | | |
| | contact-coil | 7500 | 12.500 | 10.000 | 5500 | | |
| Anzugszeit inkl. Prellzeit / operate time incl. bounce time | max. [ms] | 3,5 | 3,5 | 3,5 | 3,5 | | |
| Abfallzeit / release time | max. [ms] | 1,5 | 1,5 | 1,5 | 0,2 | | |
| Kapazität / capacitance | contact typ. [pF] | 0,8 | 0,8 | 0,8 | 0,8 | | |
| | contact-coil | 5,0 | 5,0 | 5,0 | 5,0 | | |
| Vibrationsfestigkeit / vibration resistance (10-2000 Hz) | max. [g] | 35 | 35 | 35 | 35 | | |
| Schockfestigkeit / shock resistance (11ms. ½ sinus wave) | max. [g] | 50 | 50 | 50 | 50 | | |
| Betriebstemperatur / operating temperature | max. [°C] | -40...+70 | -40...+70 | -40...+70 | -40...+70 | | |
| Löttemperatur / solder temperature | max. [°C] | 260 | 260 | 260 | 260 | | |
| Einbau / mounting | lageunabhängig / in all positions | X | X | X | X | | |
| | lageabhängig / not in all positions | | | | | | |

¹⁾ Wolframbeschichtete Schalter sind nur zum Schalten einer Leistung ab 10mW geeignet
 wolfram contacts are only suitable for a switching power of at least 10mW

Reed-Relais

High Voltage

294

Bestellhinweis / order information

| Relaistyp <i>relay type</i> | Nennspannung <i>nominal voltage</i> | Kontaktart <i>contact form</i> | Kontakttyp <i>contact model</i> | Optionen <i>options</i> | Abmessungen gemäß Figur Nr. <i>dimensions acc. to figure no.</i> |
|--------------------------------|--|-----------------------------------|------------------------------------|----------------------------|---|
| 294 | - XX | - X | XXX | - XXX | |
| 294 | 5 | A | 071 | D,M,S | 1 |
| | 12 | | 072 | K | 2 |
| 24 | 083 | | | | |
| 294 | 5 | C | 071 | S | 1 |
| | 12 | | 072 | K | 2 |
| | 24 | | 083 | | |
| | 086 | | | | |

Reed-Relais

High Voltage

320H2/1 ; 320H2/19

Spulendaten / Coil ratings

| Kontaktart <i>contact form</i> | Bestellbezeichnung <i>part number</i> | Nennspannung <i>nominal voltage</i> | Spulenwiderst. <i>coil resistance</i> | Ansprechspannung <i>pull-in voltage</i> | Abfallspannung <i>drop-out voltage</i> | Nennstrom <i>rated current</i> | Maximalspannung <i>maximum voltage</i> | Anschlußbelegung gemäß Typ <i>circuit schematic accord. to type</i> |
|-----------------------------------|--|--|--|--|---|-----------------------------------|---|--|
| | | [V/DC] | [Ohm] | [V/DC] | [V/DC] | [mA] | [V/DC] | |
| 1 A SPST-NO | 320H2/ 1- 5-A... | 5 | 40 | 4,0 | 0,5 | 12,5 | 7,0 | 320H2/1 |
| | 320H2/ 1-12-A... | 12 | 200 | 10,0 | 1,0 | 60,0 | 16,0 | |
| | 320H2/ 1-24-A... | 24 | 720 | 20,0 | 2,0 | 33,3 | 32,0 | |
| 1 B SPST-NC | 320H2/ 1- 5-B... | 5 | 50 | 4,0 | 0,5 | 100,0 | 6,0 | 320H2/1 |
| | 320H2/ 1-12-B... | 12 | 400 | 10,0 | 1,0 | 30,0 | 15,0 | |
| | 320H2/ 1-24-B... | 24 | 675 | 20,0 | 2,0 | 35,6 | 29,0 | |
| 1 A SPST-NO | 320H2/19- 5-A... | 5 | 40 | 4,0 | 0,5 | 12,5 | 7,0 | 320H2/19 |
| | 320H2/19-12-A... | 12 | 200 | 10,0 | 1,0 | 60,0 | 16,0 | |
| | 320H2/19-24-A... | 24 | 720 | 20,0 | 2,0 | 33,3 | 32,0 | |
| 1 B SPST-NC | 320H2/19- 5-B... | 5 | 50 | 4,0 | 0,5 | 100,0 | 6,0 | 320H2/19 |
| | 320H2/19-12-B... | 12 | 400 | 10,0 | 1,0 | 30,0 | 15,0 | |
| | 320H2/19-24-B... | 24 | 675 | 20,0 | 2,0 | 35,6 | 29,0 | |

Alle Angaben sind auf +20°C bezogen / indications are referring to +20°C

Sonderausstattungen / options ¹⁾

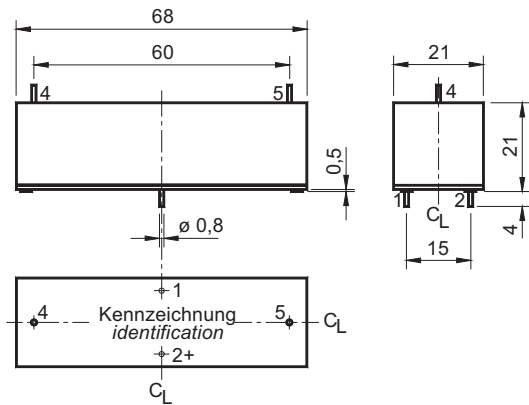
| option type | D = Diode / diode | M = magnetischer Schirm / magnetic shield | K = Kabelanschlüsse / cable connection |
|-------------|-------------------|---|--|
| 320H2/1 | | | |
| 320H2/19 | | | |

Weitere Sonderausführungen auf Anfrage / further options on inquiry

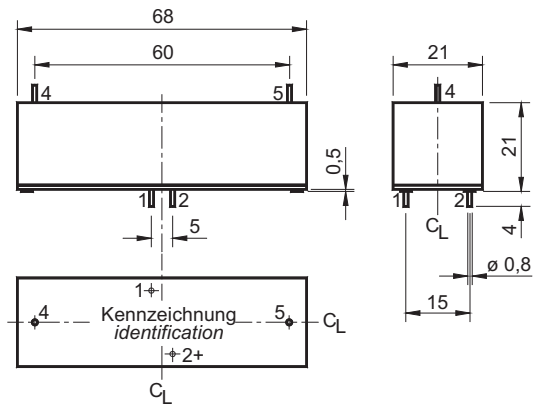
¹⁾ Ansicht auf die Bestückungssseite / view on component side

320H2/1 ; 320H2/19

Abmessungen / dimensions



Figur 1 / figure 1



Figur 2 / figure 2

Abmessungen in mm / dimensions in mm

Anschlußbelegung / terminals ¹⁾

| Typ type | Belegung / pinout | Kontaktart A contact form A | Kontaktart B contact form B | Kontaktart C contact form C |
|------------------------|-------------------|-----------------------------|-----------------------------|-----------------------------|
| 320H2/1 1 A 1 B | | | | |
| 320H2/19 1 A 1 B | | | | |

¹⁾ Ansicht auf die Bestückungssseite / view on component side

Reed-Relais

High Voltage

320H2/1 ; 320H2/19

Relaisdaten / relay ratings

| Kontakttyp / contact type | | 070 | 071 | 072 | 073 | 083 | 094 |
|---|-------------------------------------|------------------|------------------|------------------|------------------|------------------|------------------|
| Kontaktform / contact form | | A ; B | A ; B | A ; B | A ; B | A ; B | A ; B |
| Kontaktmaterial / contact material ¹⁾ | | W | W | W | W | W | W |
| Schaltleistung / switching power | max. [W/VA] | 50 | 50 | 50 | 10 | 50 | 10 |
| Schaltspannung / switching voltage | peak AC max. [V-DC/AC] | 1000 | 3500 | 7500 | 10.000 | 5000 | 12.000 |
| Schaltstrom / switching current | max. [A] | 2,5 | 3,0 | 3,0 | 3,0 | 3,0 | 3,0 |
| Dauergrenzstrom / carry current | max. [A] | 3,0 | 5,0 | 5,0 | 5,0 | 5,0 | 5,0 |
| Kontaktwiderstand / contact resistance | max. [mOhm] | 250 | 250 | 250 | 250 | 250 | 250 |
| Isolationswiderstand / insulation resistance | contact min. [Ohm] | 10 ¹⁰ | 10 ¹⁰ | 10 ¹⁰ | 10 ¹⁰ | 10 ¹⁰ | 10 ¹⁰ |
| | contact-coil min. [Ohm] | 10 ¹⁰ | 10 ¹⁰ | 10 ¹⁰ | 10 ¹⁰ | 10 ¹⁰ | 10 ¹⁰ |
| Spannungsfestigkeit / breakdown voltage | contact min. [V/DC] | 1.500 | 5.000 | 10.000 | 15.000 | 7000 | 15.000 |
| | contact-coil min. [V/DC] | 4.000 | 7.500 | 12.500 | 17.500 | 10.000 | 17.500 |
| Anzugszeit inkl. Prellzeit / operate time incl. bounce time | max. [ms] | 3,5 | 3,5 | 3,5 | 3,5 | 3,5 | 3,5 |
| Abfallzeit / release time | max. [ms] | 1,5 | 1,5 | 1,5 | 1,5 | 1,5 | 1,5 |
| Kapazität / capacitance | contact typ. [pF] | 0,8 | 0,8 | 0,8 | 0,8 | 0,8 | 0,8 |
| | contact-coil typ. [pF] | 5,0 | 5,0 | 5,0 | 5,0 | 5,0 | 5,0 |
| Vibrationsfestigkeit / vibration resistance (10-2000 Hz) | max. [g] | 35 | 35 | 35 | 35 | 35 | 35 |
| Schockfestigkeit / shock resistance (11ms. ½ sinus wave) | max. [g] | 50 | 50 | 50 | 50 | 50 | 50 |
| Betriebstemperatur / operating temperature | max. [°C] | -40...+70 | -40...+70 | -40...+70 | -40...+70 | -40...+70 | -40...+70 |
| Löttemperatur / solder temperature | max. [°C] | 260 | 260 | 260 | 260 | 260 | 260 |
| Einbau / mounting | lageunabhängig / in all positions | X | X | X | X | X | X |
| | lageabhängig / not in all positions | | | | | | |

¹⁾ Wolframbeschichtete Schalter sind nur zum Schalten einer Leistung ab 10mW geeignet
 wolfram contacts are only suitable for a switching power of at least 10mW

Reed-Relais

High Voltage

320H2/1 ; 320H2/19

Bestellhinweis / order information

| Relaistyp <i>relay type</i> | Nennspannung <i>nominal voltage</i> | Kontaktart <i>contact form</i> | Kontakttyp <i>contact model</i> | Optionen <i>options</i> | Abmessungen gemäß Figur Nr. <i>dimensions acc. to figure no.</i> |
|--------------------------------|--|-----------------------------------|--|--------------------------------------|---|
| 320H2/XX - | XX - | X | XX - | XX | |
| 320H2/1 | 5 12 24 | A B | 070 071 072 073 083 094 | D DM DK DKM M MK K | 1 |
| 320H2/19 | 5 12 24 | A B | 070 071 072 073 083 094 | D DM DK DKM M MK K | 2 |

320H2/3 ; 320H2/6

Spulendaten / Coil ratings

| Kontaktart <i>contact form</i> | Bestellbezeichnung <i>part number</i> | Nennspannung <i>nominal voltage</i> | Spulenwiderst. <i>coil resistance</i> | Ansprechspannung <i>pull-in voltage</i> | Abfallspannung <i>drop-out voltage</i> | Nennstrom <i>rated current</i> | Maximalspannung <i>maximum voltage</i> | Anschlußbelegung gemäß Typ <i>circuit schematic accord. to type</i> |
|-----------------------------------|--|--|--|--|---|-----------------------------------|---|--|
| | | [V/DC] | [Ohm] | [V/DC] | [V/DC] | [mA] | [V/DC] | |
| 1 A SPST-NO | 320H2/3 - 5 - A... | 5 | 40 | 4,0 | 0,5 | 12,5 | 7,0 | 320H2/3 |
| | 320H2/3 - 12 - A... | 12 | 200 | 10,0 | 1,0 | 60,0 | 16,0 | |
| | 320H2/3 - 24 - A... | 24 | 720 | 20,0 | 2,0 | 33,3 | 32,0 | |
| 1 B SPST-NC | 320H2/3 - 5 - B... | 5 | 50 | 4,0 | 0,5 | 100,0 | 6,0 | 320H2/3 |
| | 320H2/3 - 12 - B... | 12 | 400 | 10,0 | 1,0 | 30,0 | 15,0 | |
| | 320H2/3 - 24 - B... | 24 | 675 | 20,0 | 2,0 | 35,6 | 29,0 | |
| 1 A SPST-NO | 320H2/6 - 5 - A... | 5 | 40 | 4,0 | 0,5 | 12,5 | 7,0 | 320H2/6 |
| | 320H2/6 - 12 - A... | 12 | 200 | 10,0 | 1,0 | 60,0 | 16,0 | |
| | 320H2/6 - 24 - A... | 24 | 720 | 20,0 | 2,0 | 33,3 | 32,0 | |
| 1 B SPST-NC | 320H2/6 - 5 - B... | 5 | 50 | 4,0 | 0,5 | 100,0 | 6,0 | 320H2/6 |
| | 320H2/6 - 12 - B... | 12 | 400 | 10,0 | 1,0 | 30,0 | 15,0 | |
| | 320H2/6 - 24 - B... | 24 | 675 | 20,0 | 2,0 | 35,6 | 29,0 | |

Alle Angaben sind auf +20°C bezogen / indications are referring to +20°C

Sonderausstattungen / options ¹⁾

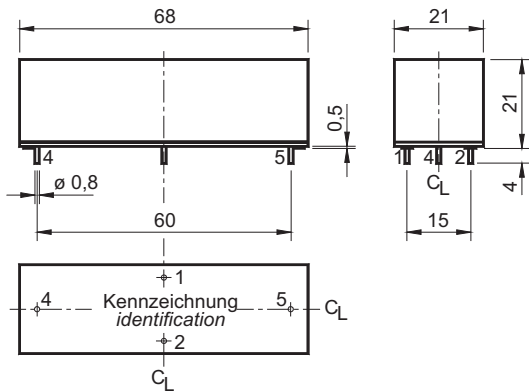
| | 320H2/3 | 320H2/6 |
|---|---------|---------|
| D = Diode / diode | | |
| M = magnetischer Schirm magnetic shield | | |
| K = Kabelanschlüsse cable connection | | |

Reed-Relais

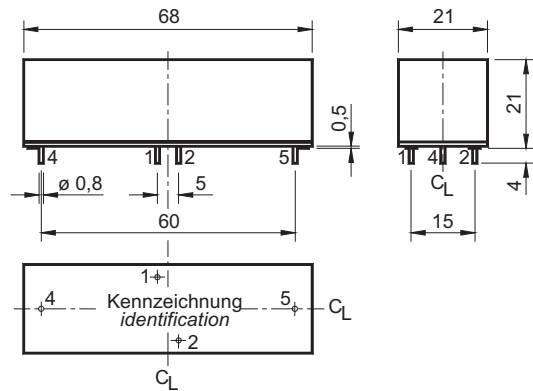
High Voltage

320H2/3 ; 320H2/6

Abmessungen / dimensions



Figur 1 / figure 1



Figur 2 / figure 2

Abmessungen in mm / dimensions in mm

Anschlußbelegung / terminals ¹⁾

| Typ type | Belegung / pinout | Kontaktart A contact form A | Kontaktart B contact form B | Kontaktart C contact form C |
|-----------------------|-------------------|--------------------------------|--------------------------------|--------------------------------|
| 320H2/3 1 A 1 B | | | | |
| 320H2/6 1 A 1 B | | | | |

¹⁾ Ansicht auf die Bestückungsseite / view on component side

Reed-Relais

High Voltage

320H2/3 ; 320H2/6

Relaisdaten / relay ratings

| Kontakttyp / contact type | | 070 | 071 | 072 | 073 | 083 | 094 |
|--|-------------------------------------|------------------|------------------|------------------|------------------|------------------|------------------|
| Kontaktform / contact form | | A ; B | A ; B | A ; B | A ; B | A ; B | A ; B |
| Kontaktmaterial / contact material ¹⁾ | | W | W | W | W | W | W |
| Schaltleistung / switching power | max. [W/VA] | 50 | 50 | 50 | 10 | 50 | 10 |
| Schaltspannung switching voltage | peak AC max. [V-DC/AC] | 1000 | 3500 | 7500 | 10.000 | 5000 | 12.000 |
| Schaltstrom / switching current | max. [A] | 2,5 | 3,0 | 3,0 | 3,0 | 3,0 | 3,0 |
| Dauergrenzstrom / carry current | max. [A] | 3,0 | 5,0 | 5,0 | 5,0 | 5,0 | 5,0 |
| Kontaktwiderstand / contact resistance | max. [mOhm] | 250 | 250 | 250 | 250 | 250 | 250 |
| Isolationswiderstand insulation resistance | contact min. [Ohm] | 10 ¹⁰ | 10 ¹⁰ | 10 ¹⁰ | 10 ¹⁰ | 10 ¹⁰ | 10 ¹⁰ |
| | contact-coil | 10 ¹⁰ | 10 ¹⁰ | 10 ¹⁰ | 10 ¹⁰ | 10 ¹⁰ | 10 ¹⁰ |
| Spannungsfestigkeit breakdown voltage | contact min. [V/DC] | 1.500 | 5.000 | 10.000 | 15.000 | 7000 | 15.000 |
| | contact-coil | 4.000 | 7.500 | 12.500 | 17.500 | 10.000 | 17.500 |
| Anzugszeit inkl. Prellzeit operate time incl. bounce time | max. [ms] | 3,5 | 3,5 | 3,5 | 3,5 | 3,5 | 3,5 |
| Abfallzeit / release time | max. [ms] | 1,5 | 1,5 | 1,5 | 1,5 | 1,5 | 1,5 |
| Kapazität capacitance | contact typ. [pF] | 0,8 | 0,8 | 0,8 | 0,8 | 0,8 | 0,8 |
| | contact-coil | 5,0 | 5,0 | 5,0 | 5,0 | 5,0 | 5,0 |
| Vibrationsfestigkeit vibration resistance (10-2000 Hz) | max. [g] | 35 | 35 | 35 | 35 | 35 | 35 |
| Schockfestigkeit / shock resistance (11ms. ½ sinus wave) | max. [g] | 50 | 50 | 50 | 50 | 50 | 50 |
| Betriebstemperatur operating temperature | max. [°C] | -40...+70 | -40...+70 | -40...+70 | -40...+70 | -40...+70 | -40...+75 |
| Löttemperatur / solder temperature | max. [°C] | 260 | 260 | 260 | 260 | 260 | 260 |
| Einbau / mounting | lageunabhängig / in all positions | X | X | X | X | X | X |
| | lageabhängig / not in all positions | | | | | | |

¹⁾ Wolframbeschichtete Schalter sind nur zum Schalten einer Leistung ab 10mW geeignet
 wolfram contacts are only suitable for a switching power of at least 10mW

Reed-Relais

High Voltage

320H2/3 ; 320H2/6

Bestellhinweis / order information

| Relaistyp <i>relay type</i> | Nennspannung <i>nominal voltage</i> | Kontaktart <i>contact form</i> | Kontakttyp <i>contact model</i> | Optionen <i>options</i> | Abmessungen gemäß Figur Nr. <i>dimensions acc. to figure no.</i> |
|--------------------------------|--|-----------------------------------|--|--------------------------------------|---|
| 320H2/X - | XX - | X | XX - | XX | |
| 320H2/3 | 5 12 24 | A B | 070 071 072 073 083 094 | D DM DK DKM M MK K | 1 |
| 320H2/6 | 5 12 24 | A B | 070 071 072 073 083 094 | D DM DK DKM M MK K | 2 |

Reed-Relais

High Voltage

320H2/24 ; 320H2/25

Spulendaten / Coil ratings

| Kontaktart <i>contact form</i> | Bestellbezeichnung <i>part number</i> | Nennspannung <i>nominal voltage</i> | Spulenwiderst. <i>coil resistance</i> | Ansprechspannung <i>pull-in voltage</i> | Abfallspannung <i>drop-out voltage</i> | Nennstrom <i>rated current</i> | Maximalspannung <i>maximum voltage</i> | Anschlußbelegung gemäß Typ <i>circuit schematic accord. to type</i> |
|-----------------------------------|--|--|--|--|---|-----------------------------------|---|--|
| | | [V/DC] | [Ohm] | [V/DC] | [V/DC] | [mA] | [V/DC] | |
| 1 A SPST-NO | 320H2/24- 5-A... | 5 | 40 | 4,0 | 0,5 | 12,5 | 7,0 | 320H2/24 |
| | 320H2/24-12-A... | 12 | 200 | 10,0 | 1,0 | 60,0 | 16,0 | |
| | 320H2/24-24-A... | 24 | 720 | 20,0 | 2,0 | 33,3 | 32,0 | |
| 1 B SPST-NC | 320H2/24- 5-B... | 5 | 50 | 4,0 | 0,5 | 100,0 | 6,0 | 320H2/24 |
| | 320H2/24-12-B... | 12 | 400 | 10,0 | 1,0 | 30,0 | 15,0 | |
| | 320H2/24-24-B... | 24 | 675 | 20,0 | 2,0 | 35,6 | 29,0 | |
| 1 A SPST-NO | 320H2/25- 5-A... | 5 | 40 | 4,0 | 0,5 | 12,5 | 7,0 | 320H2/25 |
| | 320H2/25-12-A... | 12 | 200 | 10,0 | 1,0 | 60,0 | 16,0 | |
| | 320H2/25-24-A... | 24 | 720 | 20,0 | 2,0 | 33,3 | 32,0 | |
| 1 B SPST-NC | 320H2/25- 5-B... | 5 | 50 | 4,0 | 0,5 | 100,0 | 6,0 | 320H2/25 |
| | 320H2/25-12-B... | 12 | 400 | 10,0 | 1,0 | 30,0 | 15,0 | |
| | 320H2/25-24-B... | 24 | 675 | 20,0 | 2,0 | 35,6 | 29,0 | |

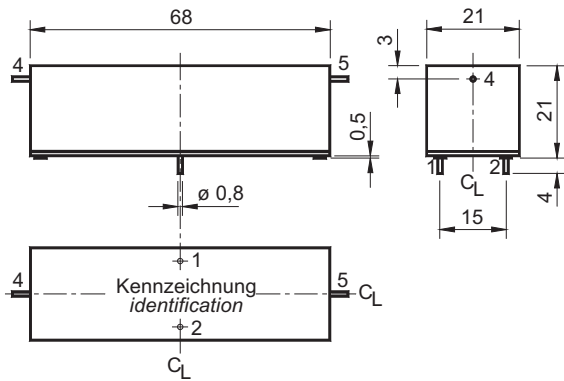
Alle Angaben sind auf +20°C bezogen / indications are referring to +20°C

Reed-Relais

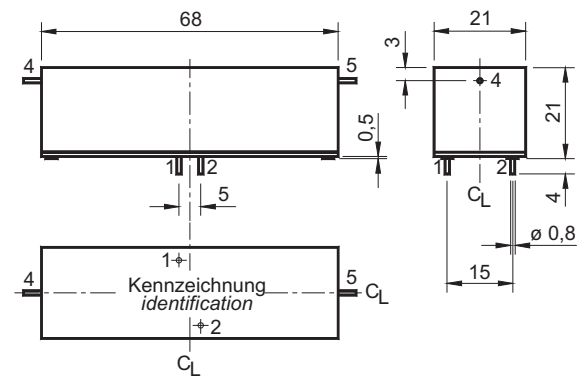
High Voltage

320H2/24 ; 320H2/25

Abmessungen / dimensions



Figur 1 / figure 1



Figur 2 / figure 2

Abmessungen in mm / dimensions in mm

Anschlußbelegung / terminals ¹⁾

| Typ type | Belegung / pinout | Kontaktart A contact form A | Kontaktart B contact form B | Kontaktart C contact form C |
|------------------------|-------------------|--------------------------------|--------------------------------|--------------------------------|
| 320H2/24 1 A 1 B | | | | |
| 320H2/25 1 A 1 B | | | | |

¹⁾ Ansicht auf die Bestückungsseite / view on component side

Reed-Relais

High Voltage

320H2/24 ; 320H2/25

Relaisdaten / relay ratings

| Kontakttyp / contact type | | 070 | 071 | 072 | 073 | 083 | 094 |
|--|-------------------------------------|------------------|------------------|------------------|------------------|------------------|------------------|
| Kontaktform / contact form | | A ; B | A ; B | A ; B | A ; B | A ; B | A ; B |
| Kontaktmaterial / contact material ¹⁾ | | W | W | W | W | W | W |
| Schaltleistung / switching power | max. [W/VA] | 50 | 50 | 50 | 10 | 50 | 10 |
| Schaltspannung switching voltage | peak AC max. [V-DC/AC] | 1000 | 3500 | 7500 | 10.000 | 5000 | 12.000 |
| Schaltstrom / switching current | max. [A] | 2,5 | 3,0 | 3,0 | 3,0 | 3,0 | 3,0 |
| Dauergrenzstrom / carry current | max. [A] | 3,0 | 5,0 | 5,0 | 5,0 | 5,0 | 5,0 |
| Kontaktwiderstand / contact resistance | max. [mOhm] | 250 | 250 | 250 | 250 | 250 | 250 |
| Isolationswiderstand insulation resistance | contact min. [Ohm] | 10 ¹⁰ | 10 ¹⁰ | 10 ¹⁰ | 10 ¹⁰ | 10 ¹⁰ | 10 ¹⁰ |
| | contact-coil | 10 ¹⁰ | 10 ¹⁰ | 10 ¹⁰ | 10 ¹⁰ | 10 ¹⁰ | 10 ¹⁰ |
| Spannungsfestigkeit breakdown voltage | contact min. [V/DC] | 1.500 | 5.000 | 10.000 | 15.000 | 7000 | 15.000 |
| | contact-coil | 4.000 | 7.500 | 12.500 | 17.500 | 10.000 | 17.500 |
| Anzugszeit inkl. Prellzeit operate time incl. bounce time | max. [ms] | 3,5 | 3,5 | 3,5 | 3,5 | 3,5 | 3,5 |
| Abfallzeit / release time | max. [ms] | 1,5 | 1,5 | 1,5 | 1,5 | 1,5 | 1,5 |
| Kapazität capacitance | contact typ. [pF] | 0,8 | 0,8 | 0,8 | 0,8 | 0,8 | 0,8 |
| | contact-coil | 5,0 | 5,0 | 5,0 | 5,0 | 5,0 | 5,0 |
| Vibrationsfestigkeit vibration resistance (10-2000 Hz) | max. [g] | 35 | 35 | 35 | 35 | 35 | 35 |
| Schockfestigkeit / shock resistance (11ms. ½ sinus wave) | max. [g] | 50 | 50 | 50 | 50 | 50 | 50 |
| Betriebstemperatur operating temperature | max. [°C] | -40...+70 | -40...+70 | -40...+70 | -40...+70 | -40...+70 | -40...+75 |
| Löttemperatur / solder temperature | max. [°C] | 260 | 260 | 260 | 260 | 260 | 260 |
| Einbau / mounting | lageunabhängig / in all positions | X | X | X | X | X | X |
| | lageabhängig / not in all positions | | | | | | |

¹⁾ Wolframbeschichtete Schalter sind nur zum Schalten einer Leistung ab 10mW geeignet
 wolfram contacts are only suitable for a switching power of at least 10mW

Reed-Relais

High Voltage

320H2/24 ; 320H2/25

Sonderausstattungen / options ¹⁾

| | | |
|----------|---|--|
| 320H2/24 | <p>D = Diode / diode</p> | <p>M = magnetischer Schirm / magnetic shield</p> |
| | <p>K = Kabelanschlüsse / cable connection</p> | |
| 320H2/25 | <p>D = Diode / diode</p> | <p>M = magnetischer Schirm / magnetic shield</p> |
| | <p>K = Kabelanschlüsse / cable connection</p> | |

Weitere Sonderausführungen auf Anfrage / further options on inquiry

¹⁾ Ansicht auf die Bestückungsseite / view on component side

Bestellhinweis / order information

| Relaistyp <i>relay type</i> | Nennspannung <i>nominal voltage</i> | Kontaktart <i>contact form</i> | Kontakttyp <i>contact model</i> | Optionen <i>options</i> | Abmessungen gemäß Figur Nr. <i>dimensions acc. to figure no.</i> |
|--------------------------------|--|-----------------------------------|--|--------------------------------------|---|
| 320H2/XX - | XX - | X | XX - | XX | |
| 320H2/24 | 5 12 24 | A B | 070 071 072 073 083 094 | D DM DK DKM M MK K | 1 |
| 320H2/25 | 5 12 24 | A B | 070 071 072 073 083 094 | D DM DK DKM M MK K | 2 |